



# DIGITAL INCLINOMETER WITH LASER

MODEL NO: **AK9991**

Thank you for purchasing a Sealey product. Manufactured to a high standard, this product will, if used according to these instructions, and properly maintained, give you years of trouble free performance.

**IMPORTANT:** PLEASE READ THESE INSTRUCTIONS CAREFULLY. NOTE THE SAFE OPERATIONAL REQUIREMENTS, WARNINGS & CAUTIONS. USE THE PRODUCT CORRECTLY AND WITH CARE FOR THE PURPOSE FOR WHICH IT IS INTENDED. FAILURE TO DO SO MAY CAUSE DAMAGE AND/OR PERSONAL INJURY AND WILL INVALIDATE THE WARRANTY. KEEP THESE INSTRUCTIONS SAFE FOR FUTURE USE.



Refer to instructions



Warning: Laser Beam

## 1. SAFETY

### 1.1. GENERAL SAFETY

- ✓ Maintain the inclinometer in good condition. Check controls and display functions on a regular basis.
- ✓ Keep the inclinometer and charger cable clean for best and safest performance.
- ✓ Wear approved safety eye protection.
- ✓ Maintain correct balance and footing. Ensure the floor is not slippery and wear non-slip shoes.
- ✓ Keep children and unauthorised persons away from the working area.
- ✗ **DO NOT** use the inclinometer for a task it is not designed for.
- ✗ **DO NOT** operate the inclinometer when you are tired or under the influence of alcohol, drugs or intoxicating medication.
- ✗ **DO NOT** get the inclinometer or charger cable wet or use in damp or wet locations.
- ✓ Keep inclinometer and charger cable in a safe, dry, child proof area where the temperature will not exceed 104°F (40°C).

#### ELECTRICAL SAFETY FOR USE OF USB CABLE

The **Electricity At Work Act 1989** requires all portable electrical appliances, if used on business premises, to be tested by a qualified electrician, using a Portable Appliance Tester (PAT), at least once a year.

The Health & Safety at Work Act 1974 makes owners of electrical appliances responsible for the safe condition of the appliance and the safety of the appliance operator. If in any doubt about electrical safety, contact a qualified electrician.

You must ensure that you:

- ✓ Inspect the charge cable and connector for wear and damage to ensure items are safe before connecting to the power supply. If worn or damaged **DO NOT** use.
- ✗ **DO NOT** use any other type of charger with this product.
- ✗ **DO NOT** try to take the unit and charge lead apart.
- ✗ **DO NOT** get the inclinometer wet, or use in wet, damp conditions.
- ☐ **WARNING!** The warnings, cautions and instructions discussed in this instruction manual cannot cover all possible conditions and situations that may occur. It must be understood that common sense and caution are factors which must be applied by the operator.

### 1.2. BATTERY SAFETY

- ☐ **WARNING!** To reduce the risk of burns or fire:
- ✗ **DO NOT** attempt to open, dismantle, modify or service the battery.
- ✗ **DO NOT** crush, puncture, short external contacts or dispose of in fire or water. **DO NOT** expose to temperatures above 60°C (140°).
- ✓ Recycle or dispose of used equipment as stipulated by local regulation.

### 1.3. LASER SAFETY

The VS900.V4 utilises a Class II laser that emits low levels of visible radiation (i.e. wavelengths between 400 and 700 nanometres) which are safe for the skin but not inherently safe for the eyes. The Class II emission limit is set at the maximum level for which eye protection is normally afforded by natural aversion responses to bright light. Accidental eye exposure is therefore normally safe, although the natural aversion response can be overridden by deliberately staring into the beam, and can also be influenced by the use of alcohol or drugs.

- ☐ **WARNING! DO NOT** look or stare into the laser beam as permanent eye damage could result. Be aware that reflections of the laser beam from mirrors or other shiny surfaces can be as hazardous as direct eye exposure.

## 2. INTRODUCTION

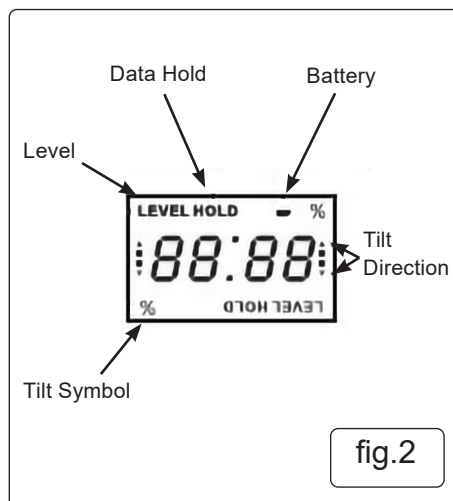
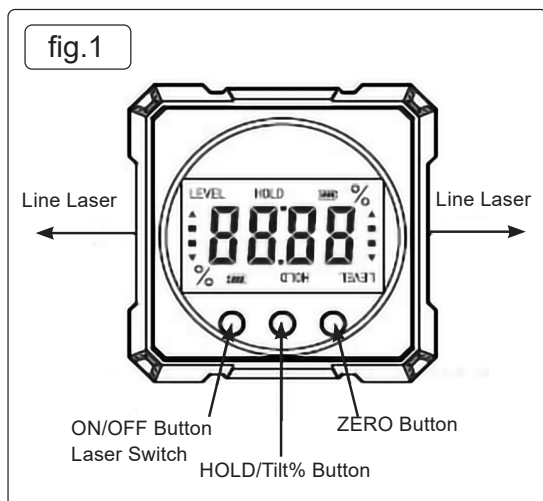
Digital inclinometer with laser line and four magnetic sides for measuring angles and tilt percentages on metal and other surfaces. Wide range of uses including setting suspension camber and caster, collision avoidance bumper mounted radar and parking assist systems. Absolute zero measure on any flat surface with accuracy  $\pm 0.2^\circ$  and measuring range  $4 \times 90^\circ$ . Large backlit LCD display makes it easier to see in a low-lit environment. Power supply 3.7V lithium battery. USB Type-C (cable included).

## 3. SPECIFICATION

Model No:..... AK9991

## 4. OPERATION

- 4.1. IMPORTANT WARRANTY INFORMATION:** The battery fitted to this cordless tool is considered to be a consumable item and its ability to accept charge will reduce over time. Our warranty will cover genuine battery malfunction, but not fair wear and tear, for a period of 12 months.



### 4.2. ON/OFF Button (fig.1)

- 4.2.1. When unit is in the Off state, a short press will turn it on. In the On state, a long press will turn it off. When On, a short press once will turn on the right laser, short press twice will turn on the left laser, short press three times will turn on both lasers, short press four times will turn off the lasers.
- 4.2.2. When unit is turned on, place it onto the measuring surface (showing the angle compared to absolute level) fig.3.1.
- 4.2.3. Press the ZERO button to reset the display to " 0.00 " fig.3.2.
- 4.2.4. Put the instrument on the surface that needs to be measured or change the angle on the reference surface. The readout displays the angle value relative to the reference surface (here it is 25°). fig.3.3.

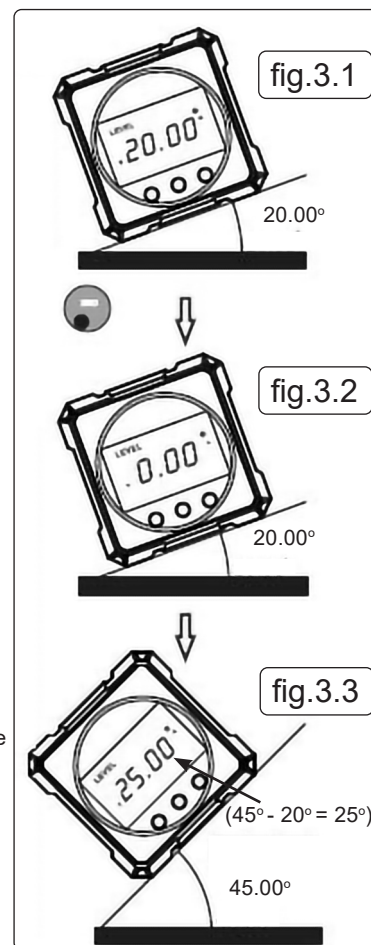
### 4.3. HOLD/Tilt% Button (fig.1)

- 4.3.1. To hold the current angle measured on the LCD display, press and the HOLD/Tilt% button.
- 4.3.2. To display Tilt%, hold the button down for approximately 2 seconds.

### 4.4. Tilt Direction (fig.2)

- 4.4.1. When the display shows ▲ on the left side and ▼ on the right side it is indicating that left side is higher than the right and vice versa.

**NOTE:** If the unit is not operated for 30 seconds it goes into standby mode. If left for a further 3 minutes the unit will power down.



## 5. MAINTENANCE

- 5.1. Keep the inclinometer clean by wiping with a damp cloth.
- 5.2. Store inclinometer and USB cable in a dry, childproof area.



### ENVIRONMENT PROTECTION

Recycle unwanted materials instead of disposing of them as waste. All tools, accessories and packaging should be sorted, taken to a recycling centre and disposed of in a manner which is compatible with the environment. When the product becomes completely unserviceable and requires disposal, drain any fluids (if applicable) into approved containers and dispose of the product and fluids according to local regulations.



### WEEE REGULATIONS

Dispose of this product at the end of its working life in compliance with the EU Directive on Waste Electrical and Electronic Equipment (WEEE). When the product is no longer required, it must be disposed of in an environmentally protective way. Contact your local solid waste authority for recycling information.



Li-ion

### BATTERY REMOVAL

Under the Waste Batteries and Accumulators Regulations 2009, Jack Sealey Ltd are required to inform potential purchasers of products containing batteries (as defined within these regulations), that they are registered with Valpak's registered compliance scheme. Jack Sealey Ltd's Batteries Producer Registration Number (BPRN) is BPRN00705.

**Note:** It is our policy to continually improve products and as such we reserve the right to alter data, specifications and component parts without prior notice.

**Important:** No Liability is accepted for incorrect use of this product.

**Warranty:** Guarantee is 12 months from purchase date, proof of which is required for any claim.

Sealey Group, Kempson Way, Suffolk Business Park, Bury St Edmunds, Suffolk. IP32 7AR



01284 757500



sales@sealey.co.uk



www.sealey.co.uk